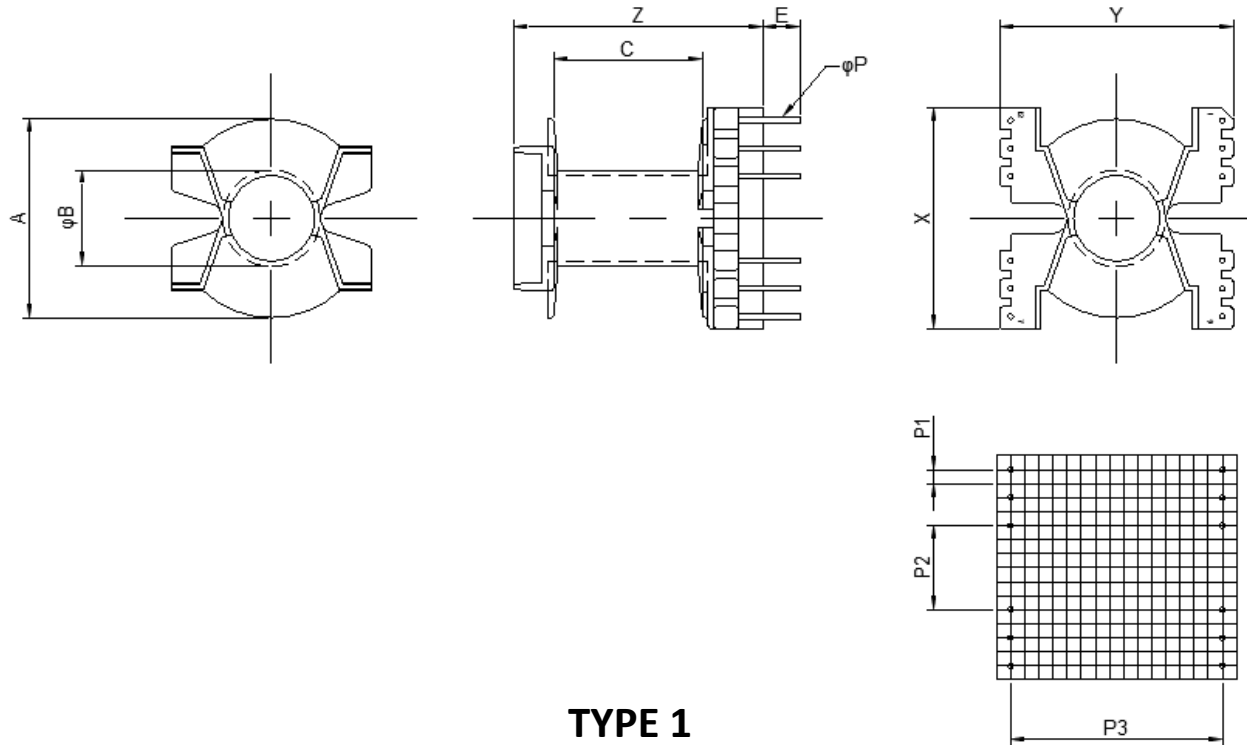


BPQ TYPE

寸法単位:mm

ボビン型式	TYPE	A	B	C	D	E	F	X	Y	Z	ΦP	P1	P2	P3	端子数
BPQ26/20-0D	1	21.8	14.3	9.3	-	-	-	26.5	29.3	19.7	-	3.81	7.62	25.4	12
BPQ26/20-1112CP	1	21.6	14.3	9.2	-	6.5	-	26.5	29.3	17.0	0.8	3.81	7.62	25.4	12
BPQ26/20-0112DS□□	1	21.8	14.3	9.3	-	10~11	-	26.5	29.3	19.7	0.6	3.81	7.62	25.4	12
BPQ26/25-1112CP	1	21.6	14.3	13.9	-	6.5	-	26.5	29.3	26.2	0.8	3.81	7.62	25.4	12
BPQ32/20-0D	1	26.8	16.0	9.1	-	-	-	32.0	34.0	22.3	-	-	-	-	12
BPQ32/20-0112DS	1	26.8	16.0	9.1	-	10.0	-	32.0	34.0	22.3	0.8	5.08	7.62	30.48	12
BPQ32/20-0112DL	1	26.8	16.0	9.1	-	10.5	-	32.0	34.0	22.3	0.8	5.08	7.62	30.48	12
BPQ32/20-0112DL1FR	1	26.8	16.0	9.1	-	11.19	-	32.0	34.0	22.3	0.8	5.08	7.62	30.48	12
BPQ32/20-1112CPFR	1	26.6	16.0	9.1	-	7.0	-	32.0	34.0	22.1	1.0	5.08	7.62	30.48	12
BPQ32/30-0112DS	1	26.8	16.0	18.9	-	10.0	-	32.0	34.0	32.1	0.8	5.08	7.62	30.48	12
BPQ32/30-1112CPFR	1	26.6	16.0	17.0	-	7.0	-	32.0	34.0	32.1	1.0	5.08	7.62	30.48	12
BPQ35/35-0112DS	1	31.3	16.9	22.7	-	10.0	-	35.0	39.0	36.75	0.8	5.08	10.16	35.56	12
BPQ35/35-1112CP	1	31.1	16.9	20.6	-	7.5	-	35.0	39.0	37.40	1.0	5.08	10.16	35.56	12
BPQ35/35-1112CP-B	1	31.1	16.8	20.5	-	7.55	-	34.9	38.9	37.20	1.0	5.08	10.10	35.46	12
BPQ40/40-1112CP	1	36.0	17.5	25.2	-	6.5	-	40.0	42.0	44.8	1.0	5.08	15.24	38.10	12
BPQ40/40-0112DS	1	36.2	17.5	27.0	-	10.0	-	40.0	42.0	41.4	0.8	5.08	15.24	38.10	12
BPQ50/50-1112CPFR	1	42.9	23.2	32.8	-	10.0	-	51.0	-	52.0	1.2	7.62	12.70	45.72	12



TYPE 1